



CONSOLIDATED SEWING MACHINE CORPORATION
131 WEST 25TH STREET, NEW YORK, NY 10001

MODEL SK-6F-1

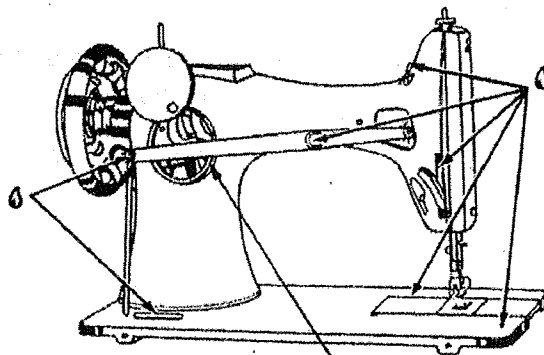
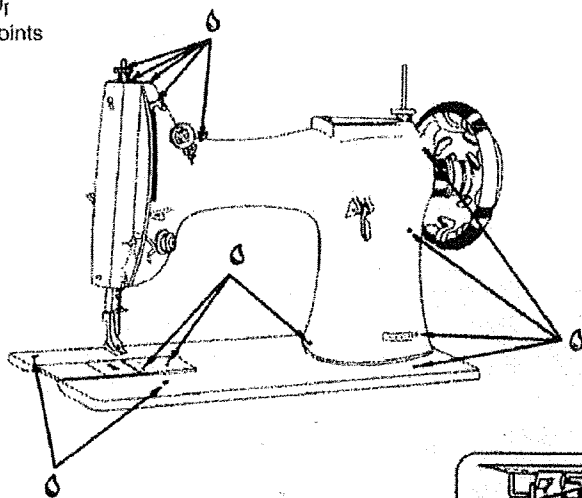
OPERATORS GUIDE

給油 LUBRICATION

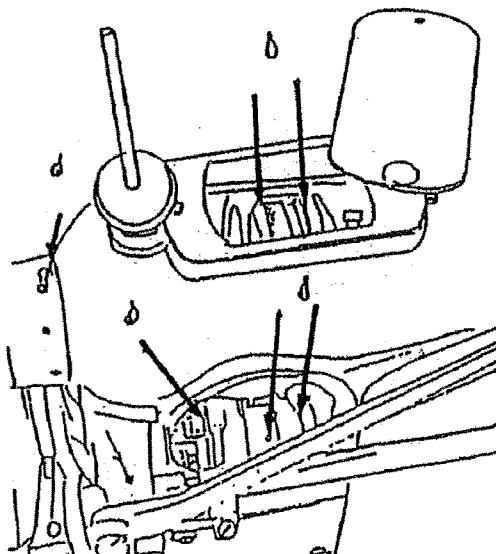
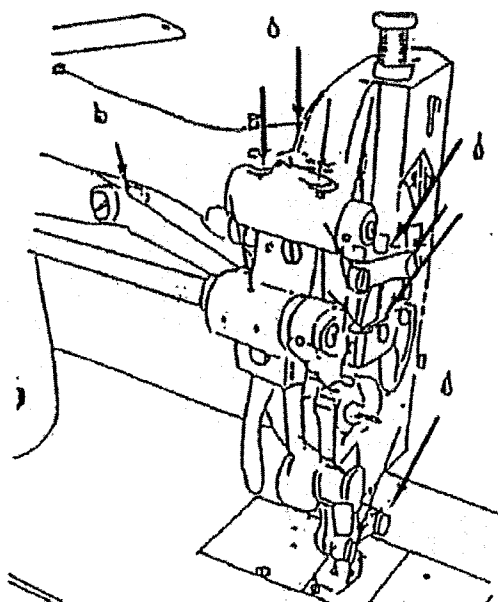
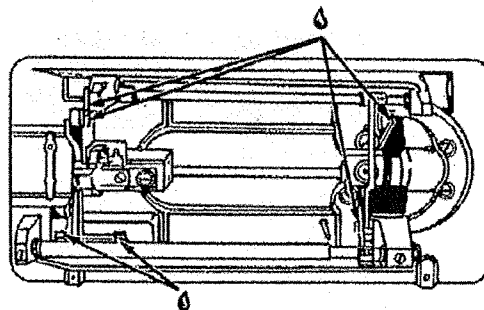
ミシン用油をご使用下さい。ミシンを初めてご使用になる時、長時間ご使用にならずに再度ご使用になる時は、始動前に各部に充分給油をした後に運転を開始して下さい。Use White spindle oil. When starting the machine initially and after kept away for a long time without using at all, oil sufficiently to respective necessary parts before starting operation and pre-running.

通常の運転状況では日に2回は各部に給油を行って下さい。
(運転状況によって給油の回数を加減して下さい。)
TWICE DAILY (More Frequently With Severe Use)

給油箇所
Oiling points



給油後は蓋を閉めてから
ミシンを始動して下さい。
OPEN TO APPLY OIL:
CLOSE AFTER OILING

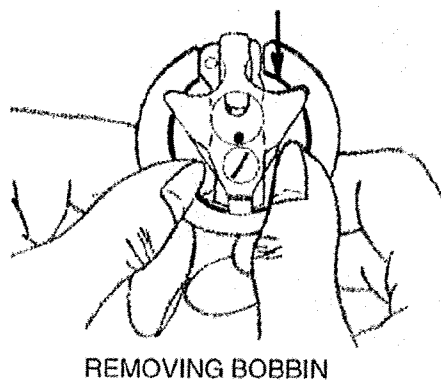


BOBBIN REMOVAL

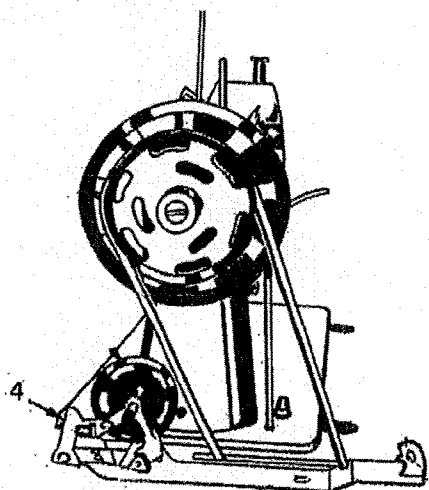
ボビンケースをカマより取り外す。
REMOVING BOBBIN CASE FROM SHUTTLE



親指で押してボビンを取り外す。
PRESS OUT WITH THUMBS

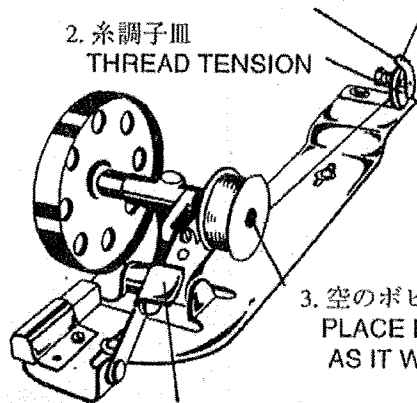


下糸の巻き方 WINDING THE BOBBIN



1. 糸案内
THREAD GUIDE

2. 糸調子皿
THREAD TENSION

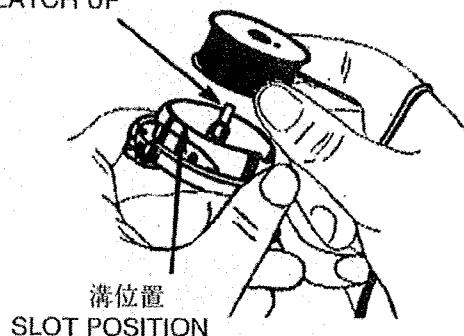


3. 空のボビンを完全に奥まで入れる。
PLACE BOBBIN ON SPINDLE AS FAR AS IT WILL GO

4. レバーを押し、ミシンを始動する。
PRESS DOWN FOR DRIVE THEN START MACHINE

下糸の通し方 THREADING BOBBIN CASE

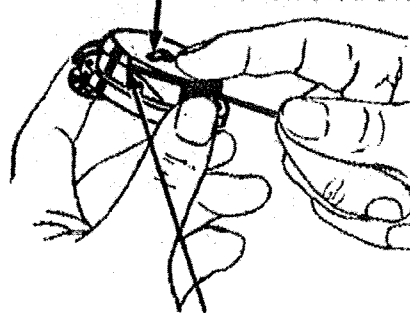
ラッチを上げる。
LATCH UP



Replacing Bobbin in Case

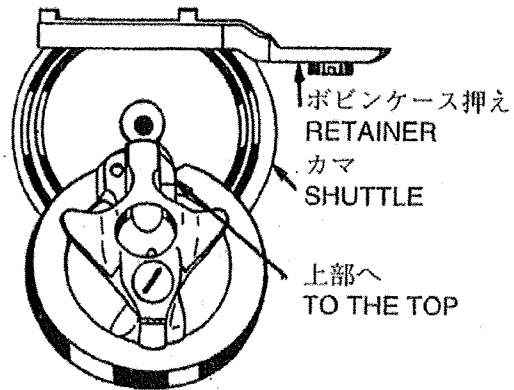
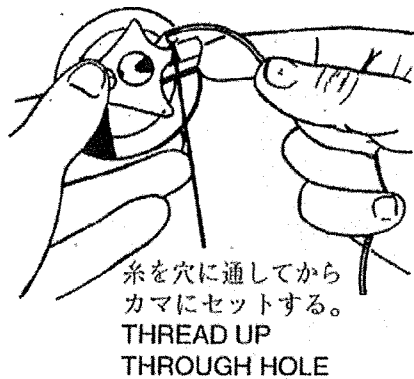
糸を溝に通し、ラッチを下げる。
THREADING THROUGH SLOT

PRESS LATCH DOWN



THREAD PULLED DOWN THROUGH SLOT

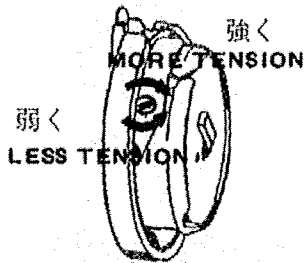
BOBBIN CASE REPLACEMENT



ボビンケースをカマに装着する。(軽く押し上げる感じ)
PUSH IN AND UPWARDS INTO SHUTTLE

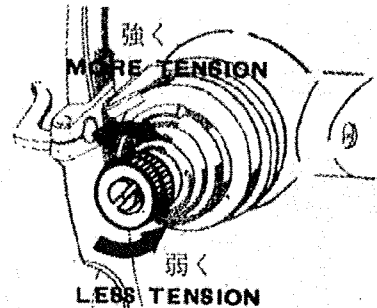
糸の張力 THREAD TENSIONS

下糸張力の調整の仕方
BOBBIN THREAD



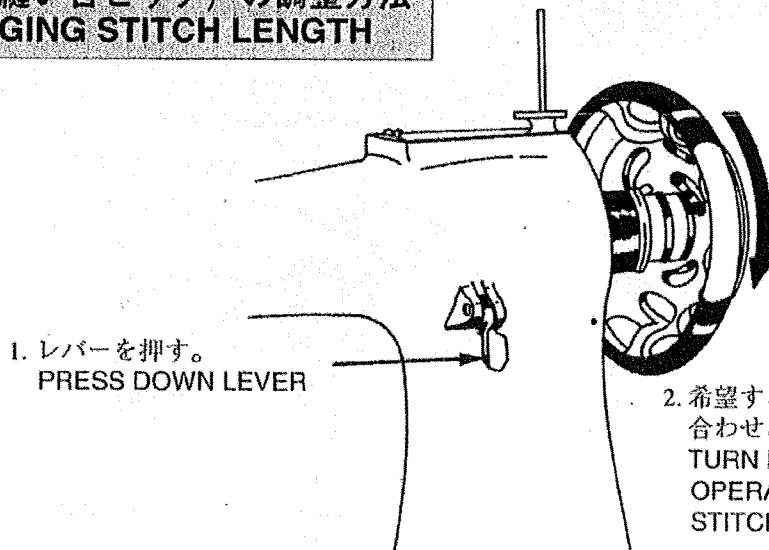
糸の張力は、小さいほど良い。
Tension on threads should be as light as possible,
while still sufficient to set stitch correctly in material.

上糸張力の調整の仕方
NEEDLE THREAD

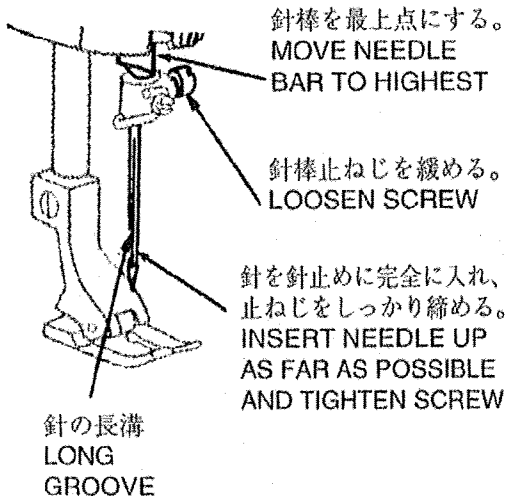


上糸張力の調整は押え金を下げた状態で行って下さい。
Regulate needle thread tension only when presser foot
is down.

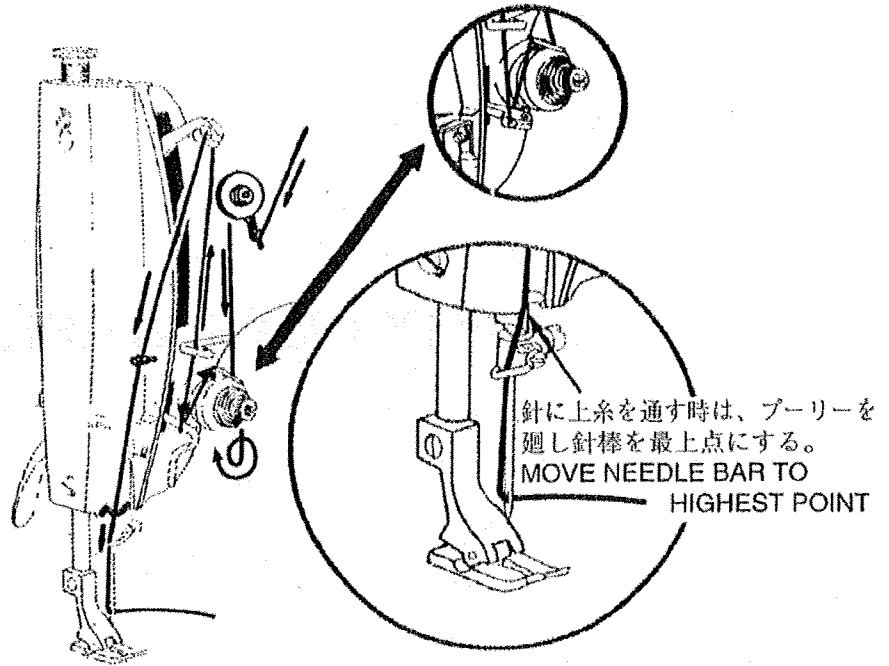
送り量 (縫い目ピッチ) の調整方法 CHANGING STITCH LENGTH



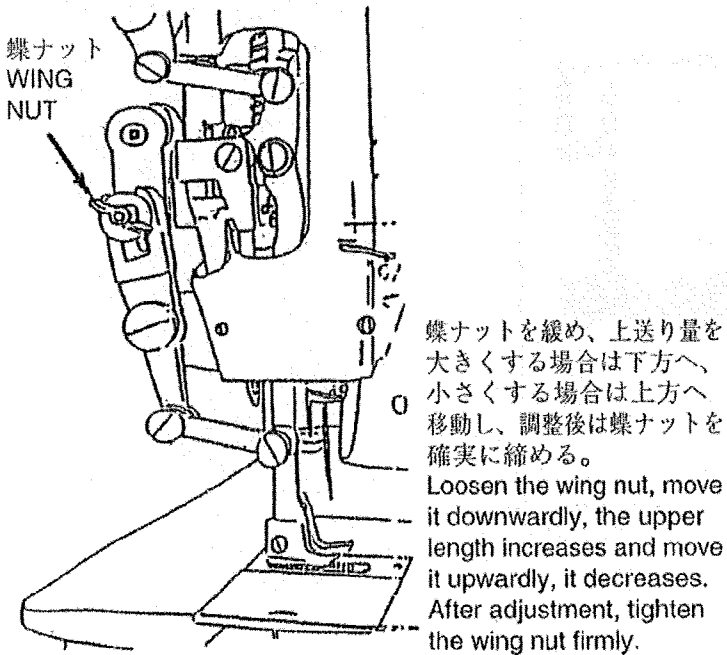
SETTING NEEDLE



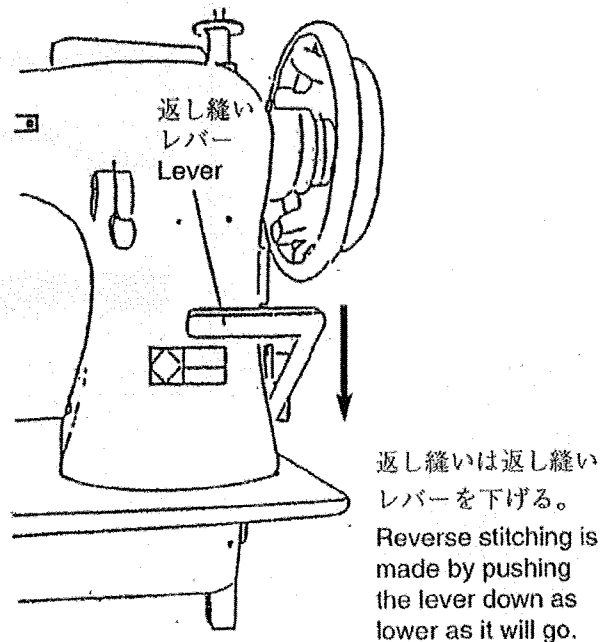
THREADING NEEDLE THREAD



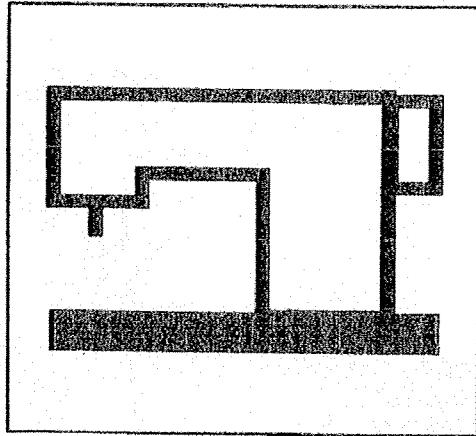
上送り量の調整の仕方 ADJUSTMENT OF UPPER FEED LENGTH



返し縫いの仕方 REVERSE STITCHING




SAFETY INSTRUCTIONS






1. Safety indications and their meanings

This instruction manual and indications and symbols that are used on the machine itself are provided in order to ensure safe operation of this machine and to prevent accidents and injury to yourself or other people. The meanings of these indications and symbols are given below.










Indications

 CAUTION	The instructions which follow this term indicate situations where failure to follow the instructions could cause injury when using the machine or physical damage to equipment and surroundings.
--	--

Symbols

-  This symbol (Δ) indicates something that should be careful of. The picture inside the triangle indicates the nature of the caution that must be taken. (For example, the symbol at left means, "beware of injury".)
-  This symbol (\ominus) indicates something that you must not do.
-  This symbol (\bullet) indicates something that you must do. The picture inside the circle indicates the nature of the thing that must be done. (For example, the symbol at left means, "You must make the ground connection".)







2. Notes on safety





 CAUTION	
Environmental requirements	
 • Use the sewing machine in an area, which is free from sources of strong electrical noise such as high-frequency welders. Sources of strong electrical noise may cause problems with correct operation.	 • The ambient temperature should be within the range of 5°C to 35°C during use. Temperatures that are lower or higher than this may cause problems with correct operation.
 • Any fluctuations in the power supply voltage should be within $\pm 10\%$ of the rated voltage for the machine. Voltage fluctuations that are greater than this may cause problems with correct operation.	 • The relative humidity should be within the range 45% to 85% during use, and no dew formation should occur in any devices. Excessively dry or humid environments and dew formation may cause problems with correct operation.
 • The power supply capacity should be greater than the requirements for the sewing machine's electrical consumption. Insufficient power supply capacity may cause problems with correct operation.	 • Avoid exposure to direct sunlight during use. Exposure to direct sunlight may cause problems with correct operation.
 • The pneumatic delivery capability should be greater than the requirements for the sewing machine's total air consumption. Insufficient pneumatic delivery capability may cause problems with correct operation.	 • In the event of an electrical storm, turn off the power and disconnect the power cord from the wall outlet. Lighting may cause problems with correct operation.



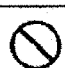




CAUTION






Installation

-  Machine installation should only be carried out by a qualified technician.
-  Contact your *Consew* dealer or a qualified electrician for any electrical work that may need to be done.
-  The installation should be carried out by two or more people.
-  Do not connect the power cord until installation is complete, otherwise the machine may operate if the treadle is pressed by mistake, which could result in injury.
-  Be sure to connect the ground. If the ground connection is not secure, you run a high risk of receiving a serious electric shock, and problems with correct operation may also occur.
-  All cords should be secured at least 25mm away from any moving parts. Furthermore, do not excessively bend the cords or secure them too firmly with staples, otherwise there is the danger that fire or electrical shocks could occur.

-  Be sure to install the belt guards to the machine head and motor.
-  If using a work table that has casters, the casters should be secured in such a way so that they cannot move.
-  Use both hands to hold the machine head when tilting it back or returning it to its original position. If only one hand is used, the weight of the machine head may cause your hand to slip, and your hand may get caught.
-  Be sure to wear protective goggles and gloves when handling the lubricating oil, so that no oil gets into your eyes or onto your skin, otherwise inflammation can result. Furthermore, do not drink the oil under any circumstances, as it can cause vomiting and diarrhea. Keep the oil out of the reach of children.

Sewing

-  This sewing machine should only be used by operators who have received the necessary training in safe use beforehand.
-  The sewing machine should not be used for any applications other than sewing.
-  Be sure to wear protective goggles when using the machine. If goggles are not worn, there is the danger that if a needle breaks, parts of the broken needle may enter your eyes and injury may result.
-  Turn off the power switch at the following times, otherwise the machine may operate if the treadle is pressed by mistake, which could result in injury.
 1. When threading the needle
 2. When replacing the needle and bobbin
 3. When not using the machine and when leaving the machine unattended
- * When using a clutch motor, the motor will keep turning even after the power is switched off as a result of the motor's inertia. Wait until the motor stops fully before starting work.
-  If using a worktable that has casters, the casters should be secured in such a way so that they cannot move.

-  Attach all safety devices before using the sewing machine. If the machine is used without these devices attached, injury may result.
-  Do not touch any of moving parts or press any objects against the machine while sewing, as this may result in personal injury or damage to the machine.
-  Use both hands to hold the machine head when tilting it back or returning it to its original position. If only one hand is used, the weight of the machine head may cause your hand to slip, and your hand may get caught.
-  If an error occurs in machine operation, or if abnormal noises or smells are noticed, immediately turn off the power switch. Then contact your nearest *Consew* dealer or a qualified technician.
-  If the machine develops a problem, contact your nearest *Consew* dealer or a qualified technician.



CAUTION

Cleaning



• Turn off the power switch before carrying out cleaning, otherwise the machine may operate if the treadle is pressed by mistake, which could result in injury.

* When using a clutch motor, the motor will keep turning even after the power is switched off as a result of the motor's inertia. Wait until the motor stops fully before starting work.



• Use both hands to hold the machine head when tilting it back or returning it to its original position. If only one hand is used, the weight of the machine head may cause your hand to slip, and your hand may get caught.



• Be sure to wear protective goggles and gloves when handling the lubricating oil, so that no oil gets into your eyes or onto your skin, otherwise inflammation can result. Furthermore, do not drink the oil under any circumstances, as they can cause vomiting and diarrhea. Keep the oil out of the reach of children.

Maintenance and inspection



• Maintenance and inspection of the sewing machine should only be carried out by a qualified technician.



• Ask your Consew dealer or a qualified electrician to carry out any maintenance and inspection of the electrical system.



• Turn off the power switch and disconnect the power cord from the wall outlet at the following times, otherwise the machine may operate if the treadle is pressed by mistake, which could result in injury.

1. When carrying out inspection, adjustment and maintenance

2. When replacing consumable parts such as the rotary hook

* When using a clutch motor, the motor will keep turning even after the power is switched off as a result of the motor's inertia. Wait until the motor stops fully before starting work.



• If the power switch and air need to be left on when carrying out some adjustment, be extremely careful to observe all safety precautions.



• Use both hands to hold the machine head when tilting it back or returning it to its original position. If only one hand is used, the weight of the machine head may cause your hand to slip, and your hand may get caught.



• When checking the rotary hook lubrication, do not touch moving parts such as the rotary hook, needle and needle bar with your finger or paper nor push them with other objects, otherwise injury or damage to the machine may result.



• Use only the proper replacement parts as specified by CONSEW



• If any safety devices have been removed, be absolutely sure to re-install them to their original positions and check those they operate correctly before using the machine.



• Any problems in machine operation, which result from unauthorized modifications to the machine, will not be covered by the warranty.

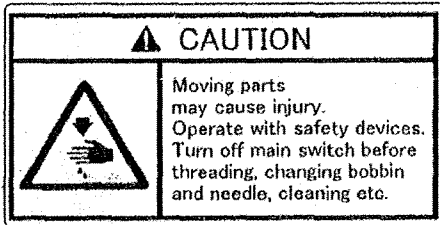
3. Warning labels

* The following warning labels appear on the sewing machine.

Please follow the instructions on the labels at all times when using the machine.

If the labels have been removed or are difficult to read, please contact your nearest CONSEW dealer.

1



Safety devices

- Finger guard
- Thread take-up lever cover
- Belt guard, etc.

2



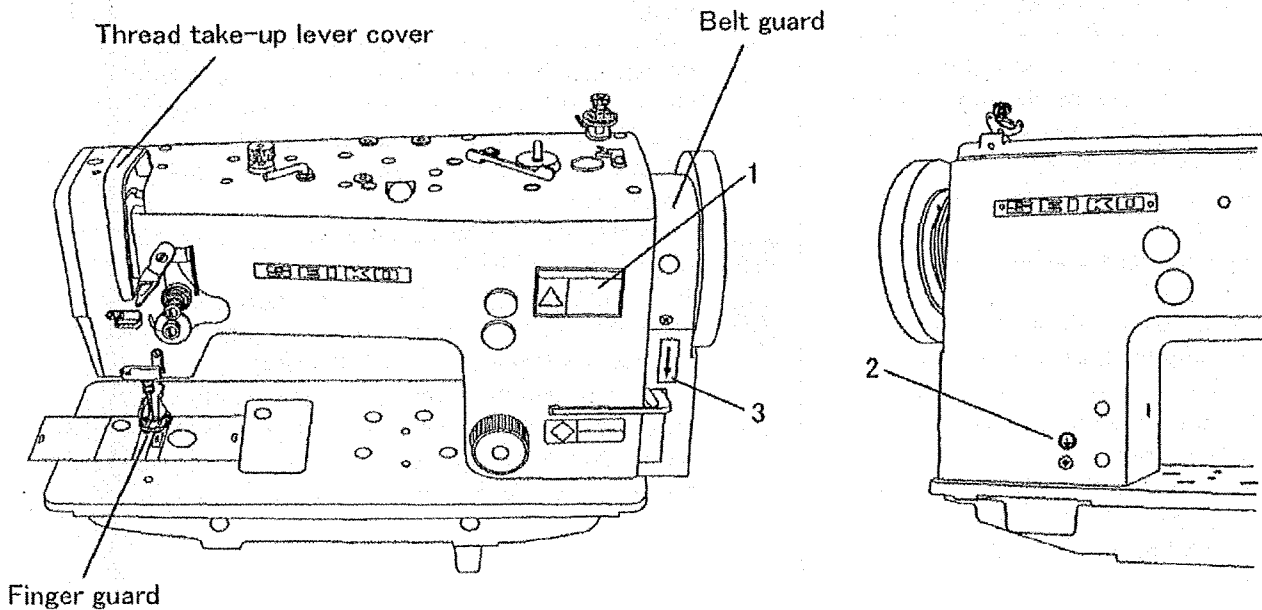
Be sure to connect the ground.
If the ground connection is not secure, you run the risk of receiving a serious electric shock.

3



Direction of operation

* Example



**Consolidated Sewing
Machine Corp.
Website: www.consew.com**

MAIN office
131 W. 25th Street
New York, NY 10001
Tel: 212-741-7788
Fax: 212-741-7787
e-mail: consew@att.net

Miami, FL
4013 NW. 79th Avenue
Miami, FL 33166
Tel: 305-471-0200
Fax: 305-471-0243
e-mail: miamisales@consew.com

Los Angeles, CA
2320 South Hill Street
Los Angeles, CA 90007
Tel: 213-745-8844
Fax: 213-745-8855
e-mail: lasales@consew.com

